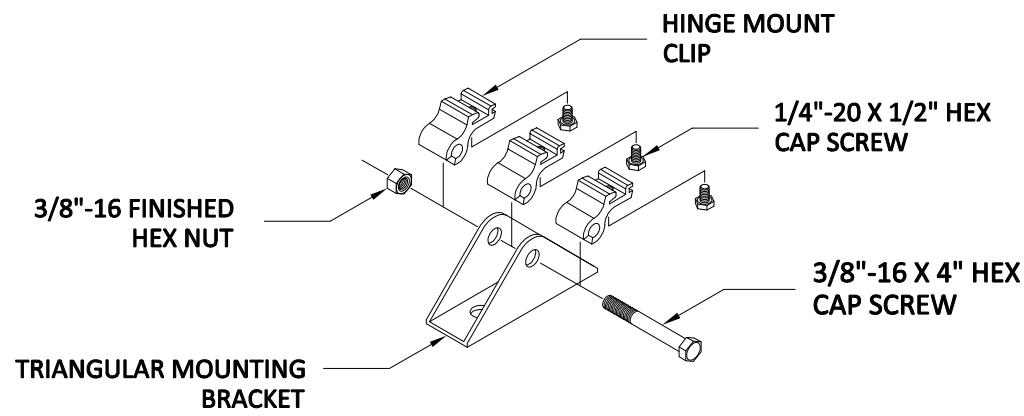


COPY RIGHT & INTELLECTUAL PROPERTY NOTICE

ENLARGED VIEWING & HYPERLINKS:
 PRINT VERSION OF THIS PLAN PROVIDES MINIMUM INFORMATION NEEDED BY USERS.
 ELECTRONIC VERSION (EV) PROVIDES MAGNIFIED VIEWING UP TO 600% E.
 ALSO PROVIDES HYPERLINKS TO SUPPLEMENTARY INFORMATION.
 EV MAY BE ACCESSED AT: [HTTP://WWW.GEZELMANPE.COM/INSTALLATIONDWGS.HTML](http://www.gezelmanpe.com/installationdwgs.html)

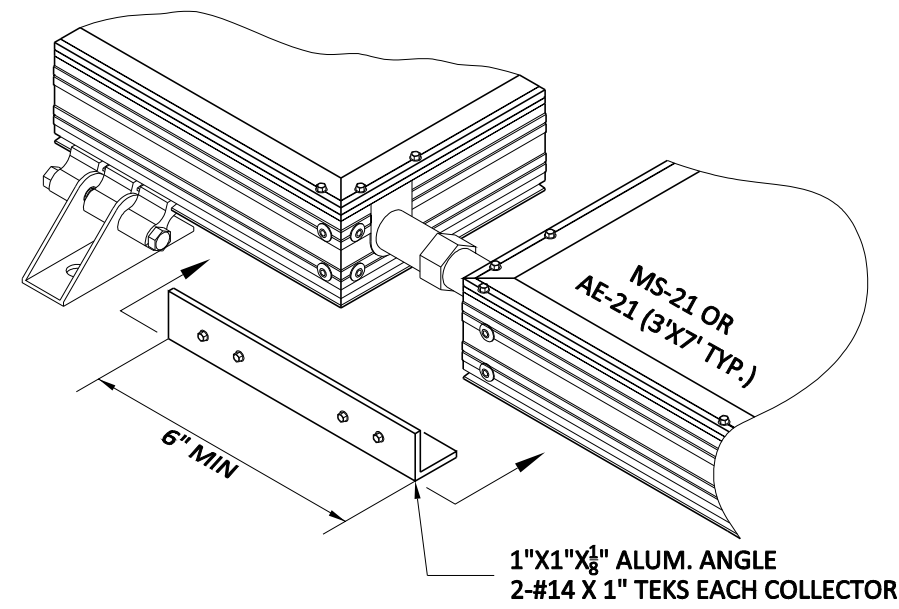
STANDARD MOUNTING HARDWARE

STANDARD MOUNT HARDWARE, AS SHOWN (MS EQUIVALENT ALSO APPROVED), AT EACH CONNECTION POINT IN THIS DETAIL

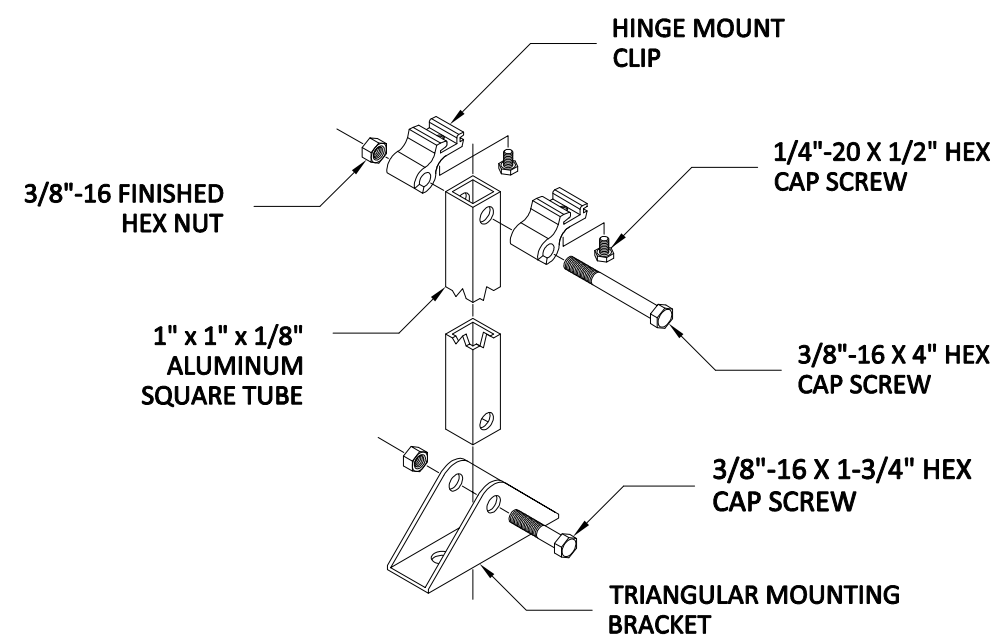


CONNECTION DETAIL

THREE "AE-CLIPS" ARE TO BE REQUIRED TO ATTACH THE COLLECTORS TO THE STRUCTURE PROPERLY WHEN USING THE ANGLE BRACKET. NO SUBSTITUTIONS ARE ALLOWED.



TILT KIT HARDWARE (USE AS REQUIRED)



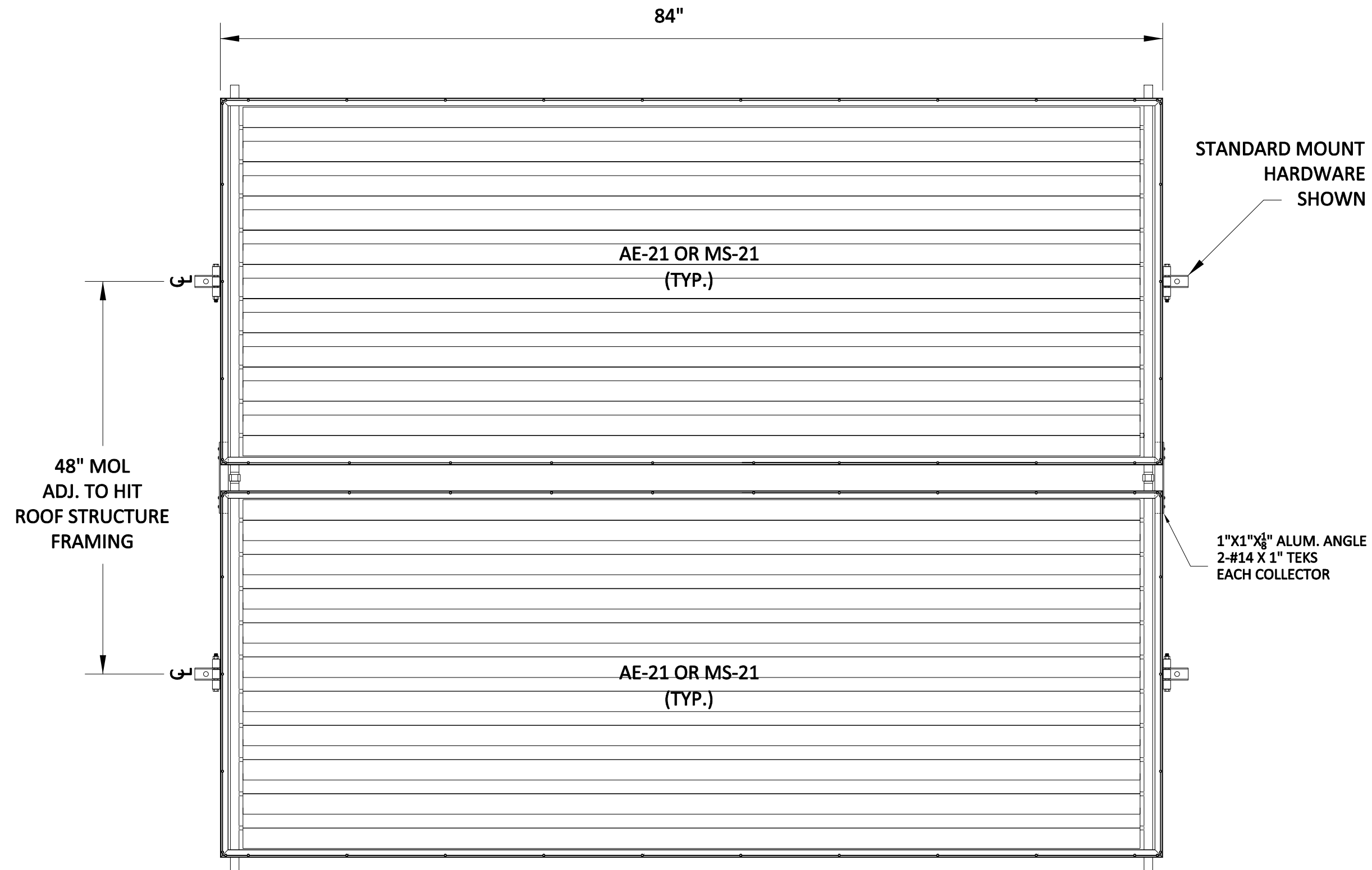
TWO "AE OR MS -CLIPS" ARE REQUIRED AT EACH CONNECTION POINT WITH SQUARE TUBE LEG AS SHOWN IN THIS DETAIL.

NOTES:

THIS DOCUMENT SUPPLEMENTS MY AS1.3.A RAISED SEAL COPY OF AS1.3 MUST ACCOMPANY THIS DOCUMENT - OTHERWISE THIS DOCUMENT MAY NOT BE USED.

THESE FIGURES SHOW THE HARDWARE PROVIDED BY THE MANUFACTURER THAT HAS UNDERGONE TESTING AND SHALL BE USED TO ATTACH THE SOLAR COLLECTORS TO THE STRUCTURE PROPERLY. NO SUBSTITUTIONS SHALL BE PERMITTED.

THE COLLECTOR ATTACHMENT SHALL BE AS INDICATED IN THE MANUFACTURERS INSTALLATION INSTRUCTIONS AND THESE DRAWINGS.



TYPICAL DOUBLE AE OR MORNINGSTAR 21 (3'X7') INSTALLATION (RESIDENTIAL)

I CERTIFY THAT THIS DESIGN & SPECIFICATIONS MEET THE REQUIREMENTS OF THE CURRENT FLORIDA BUILDING CODE.

ALLEN GEZELMAN
 16502 HANNA RD.
 LUTZ, FLORIDA 33549

PH. 813 650 7246
 FX. 866 397 9050
 Allen@GezelmanPE.COM
 www.GezelmanPE.com

PE. # 59180

cAdvice.us

Contact:
 cAdvice Inc
 3603 E Renellie Cir
 Tampa FL, 33629
 PH. 813 919 9154
 FX. 866 694 7251
 mail@cAdvice.us // www.cAdvice.us

INSTALLATION OF A ROOF TOP
SOLAR WATER HEATER

SYSTEM:

 1423 GUNN HIGHWAY
 ODESSA, FL 33556

REV.083109-TM

PUBLISHED: 2/22/2010 3:19:05 PM

THIS IS A SINGLE SHEET PLAN

REVISIONS:

SCALE: NTS

SHEET NAME:
 AS 1.3 SUPPLEMENT

DRAWN: SB CHECKED: AG

SHEET NO:
A.1.3-S

AS 1.3.S.dwg