

THIS PLAN SET IS COPY RIGHT PROTECTED AND CONTAINS INTELLECTUAL PROPERTY WHICH IS IN THE PROCESS OF BEING PATENTED. ACCESS IS GIVEN TO THE INFORMATION HEREON SOLELY FOR THE PURPOSE OF FURTHERING THE COMPLETION OF THE PROJECT FOR WHICH IT IS INTENDED. NO OTHER USE MAY BE MADE OF THE INFORMATION. DIAGRAMS OR IDEAS HEREON WITHOUT EXPRESS WRITTEN PERMISSION FROM ALLEN GEZELMAN, PE

SCOPE OF WORK:
STEEL RACK FOR ARRAY OF 5 SOLAR COLLECTORS

COMPATIBLE WITH BOTH:
ASCE 7-02 & ASCE 7.05

WIND LOAD:
DESIGNED FOR 130 MPH

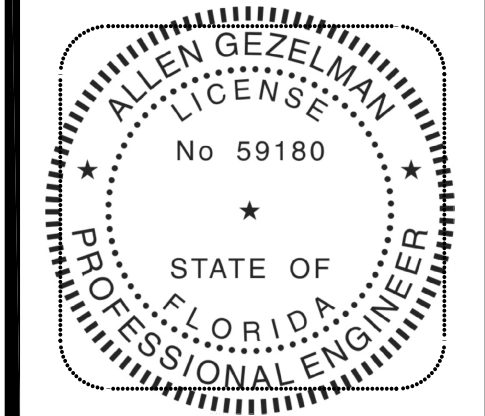
WIND EXPOSURE:
EXPOSURE CATEGORY C

SOLAR SYSTEM COLLECTOR:
MODEL: (14) AE-40 DHW

APPLICABLE CODE:
2004 W/06 SUPPLEMENT FBC, FMC, FPC & FBC, FPC, FMC 2007

ALL STEEL ANGLE 0.25" STRONG / STEEL RACK, THE METAL SHALL BE PRIMED AND PAINTED COMPLETELY WITH GENEROUS COATS OF RUSTOLEUM INDUSTRIAL METAL PAINT AFTER ALL CUTTING AND DRILLING HAS BEEN COMPLETED. PAINT SHALL BE CURED BEFORE TRANSPORTING RACK COMPONENTS TO THE JOB SITE. PAINT SHALL BE TOUCHED UP AFTER RACKS ARE INSTALLED ON THE ROOF. ALL FASTENERS SHALL BE STAINLESS STEEL.

ENGINEERED:
ALLEN GEZELMAN
16502 HANNA RD.
LUTZ, FLORIDA 33549
PH. 813 650 7246
FX. 866 397 9050
BOLSON1@TAMPABAY.RR.COM
PE. # 59180



CAD: cAdvice.us
SIGGI BROCKS
3603 E. RENELLIE CIR.
TAMPA, FL 33629
PH. 813 919 9154
FX. 866 694 7251
siggi@cadvic.us

SHOP DRAWINGS FOR
STEEL RACK RECEIVING
SOLAR WORLD WATER HEATER AE 40 DHW

SYSTEM:

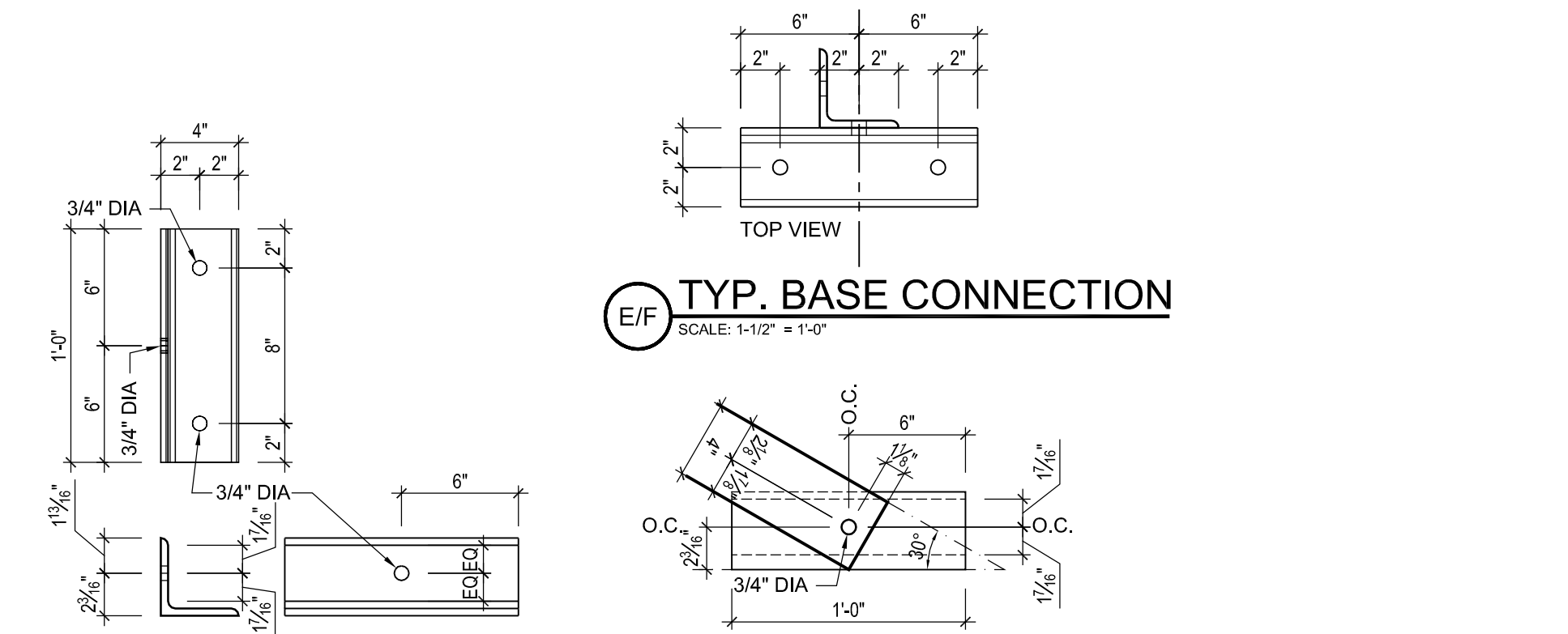
8998 130th Avenue
Largo, FL 33773-1401
727.559.0307

DATE: 09/10/08
REVISION NO./DATE:
STEEL RACK FOR
SOLAR WORLD
SOLAR WATER HEATERS

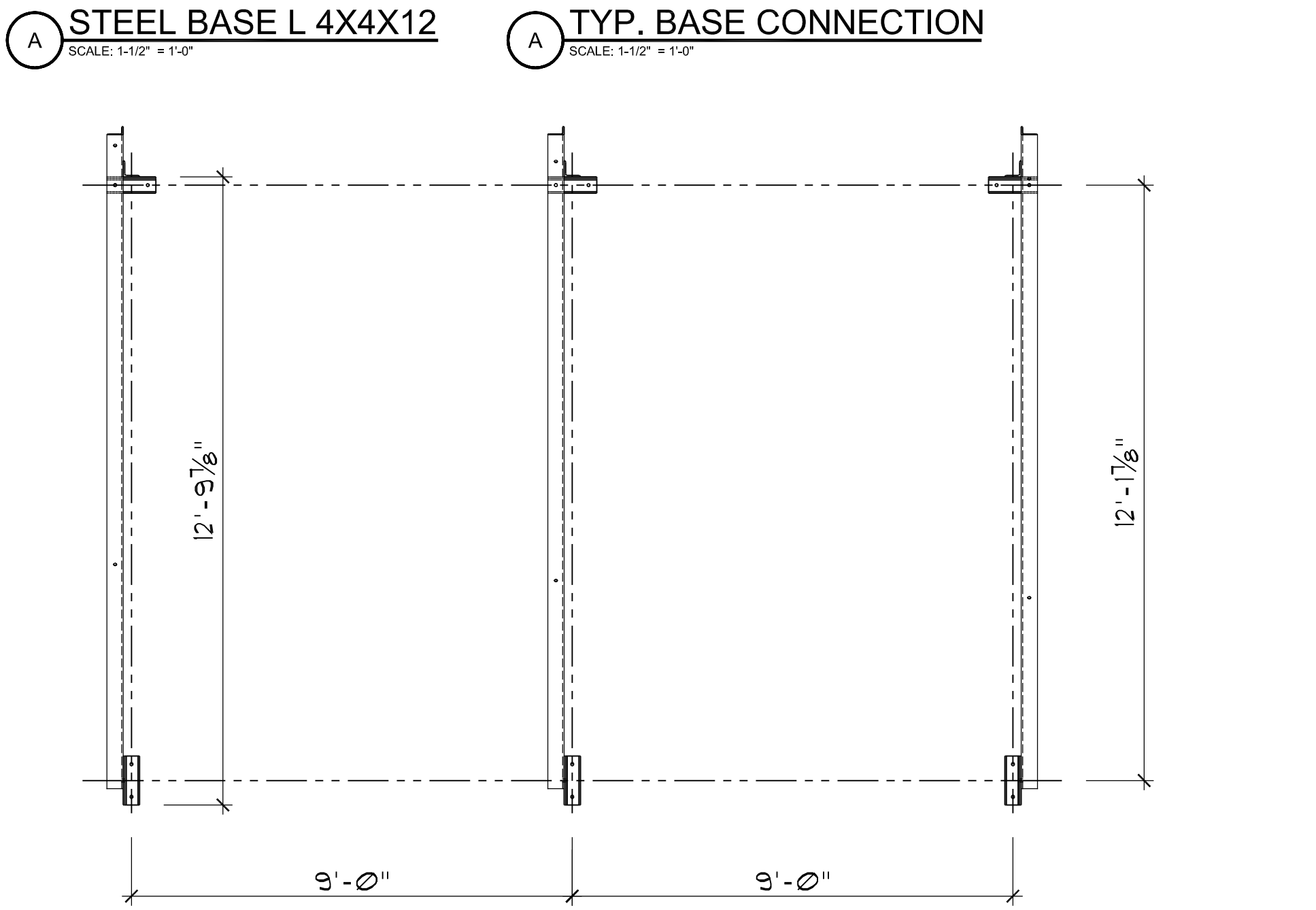
SHEET NAME:
SHOP DRAWINGS

DRAWN: SB CHECKED: AG

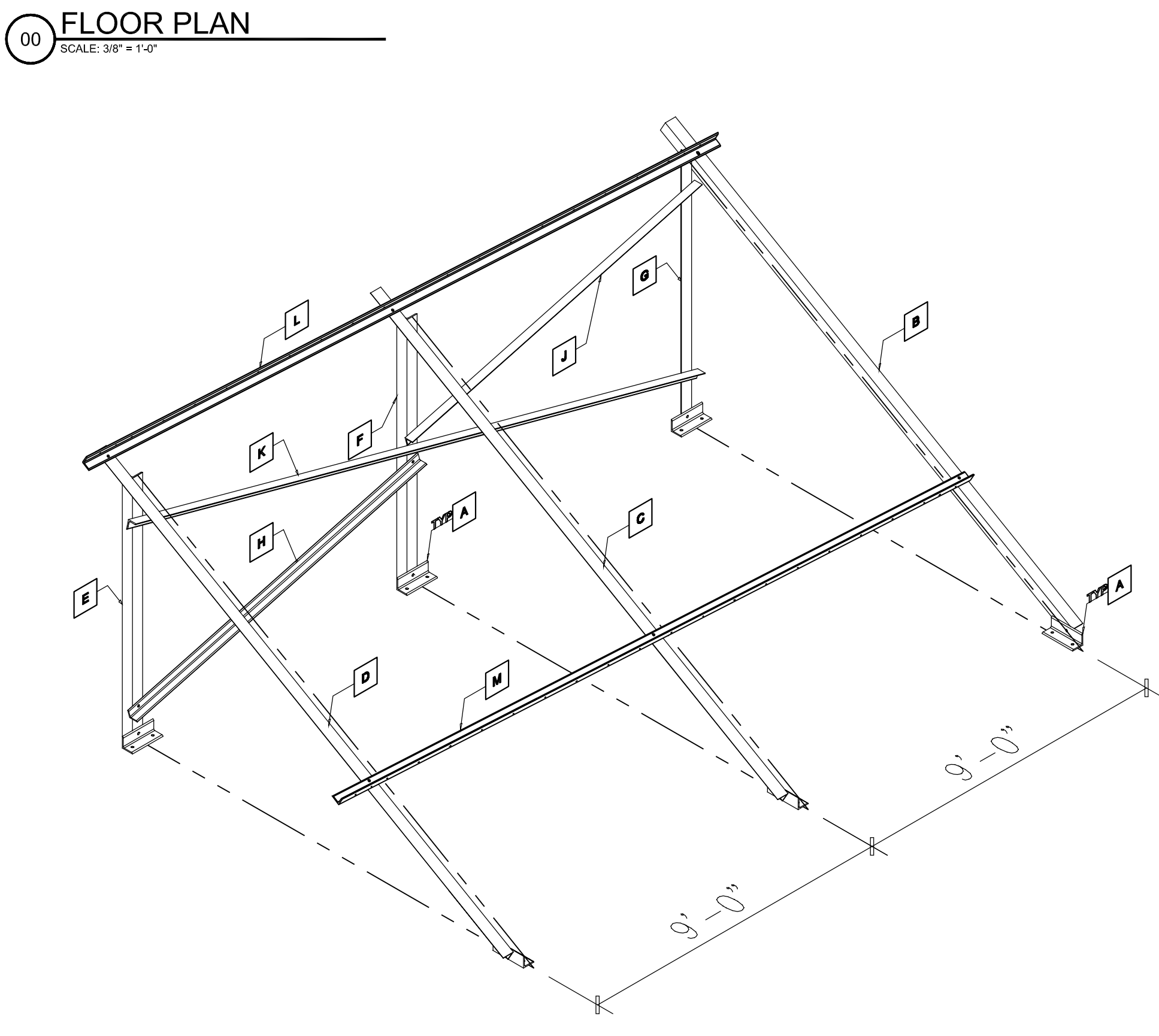
SHEET NO:
SW SWH - S.1.0



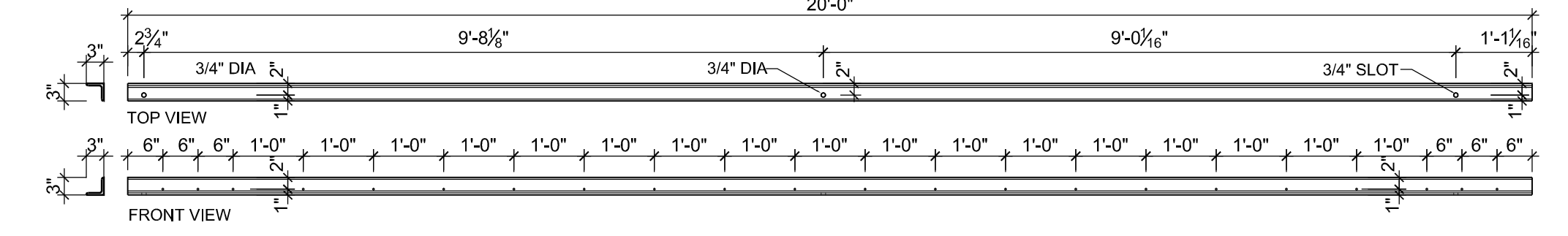
E/F TYP. BASE CONNECTION
SCALE: 1-1/2" = 1'-0"



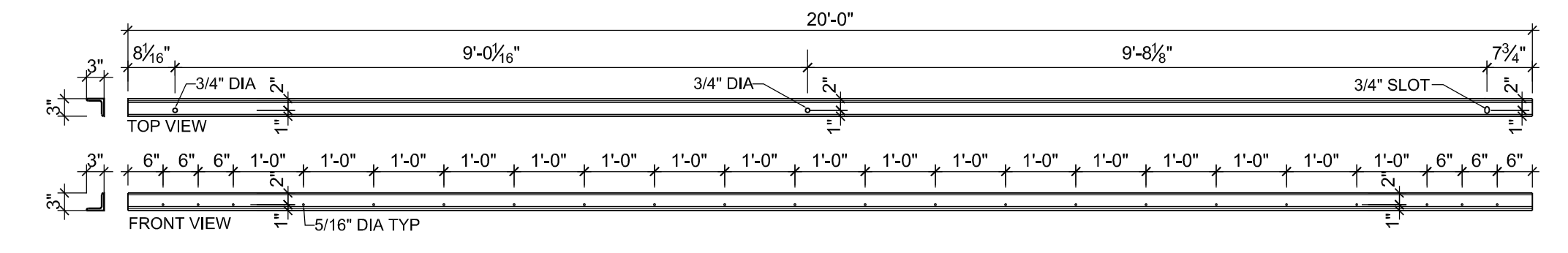
A STEEL BASE L 4X4X12
SCALE: 1-1/2" = 1'-0"



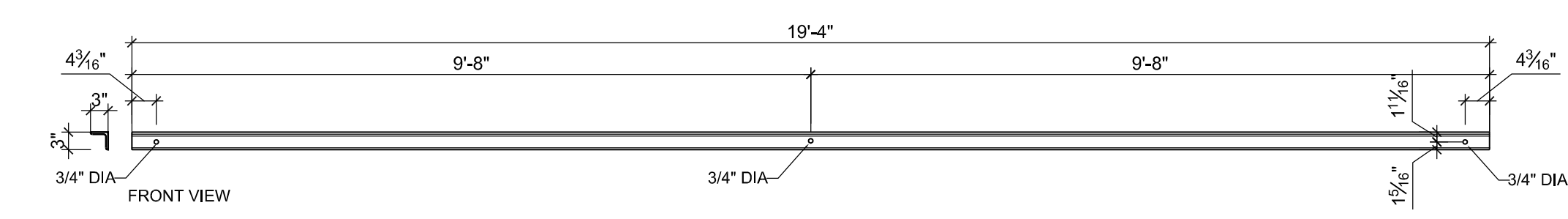
00 FLOOR PLAN
SCALE: 3/8" = 1'-0"



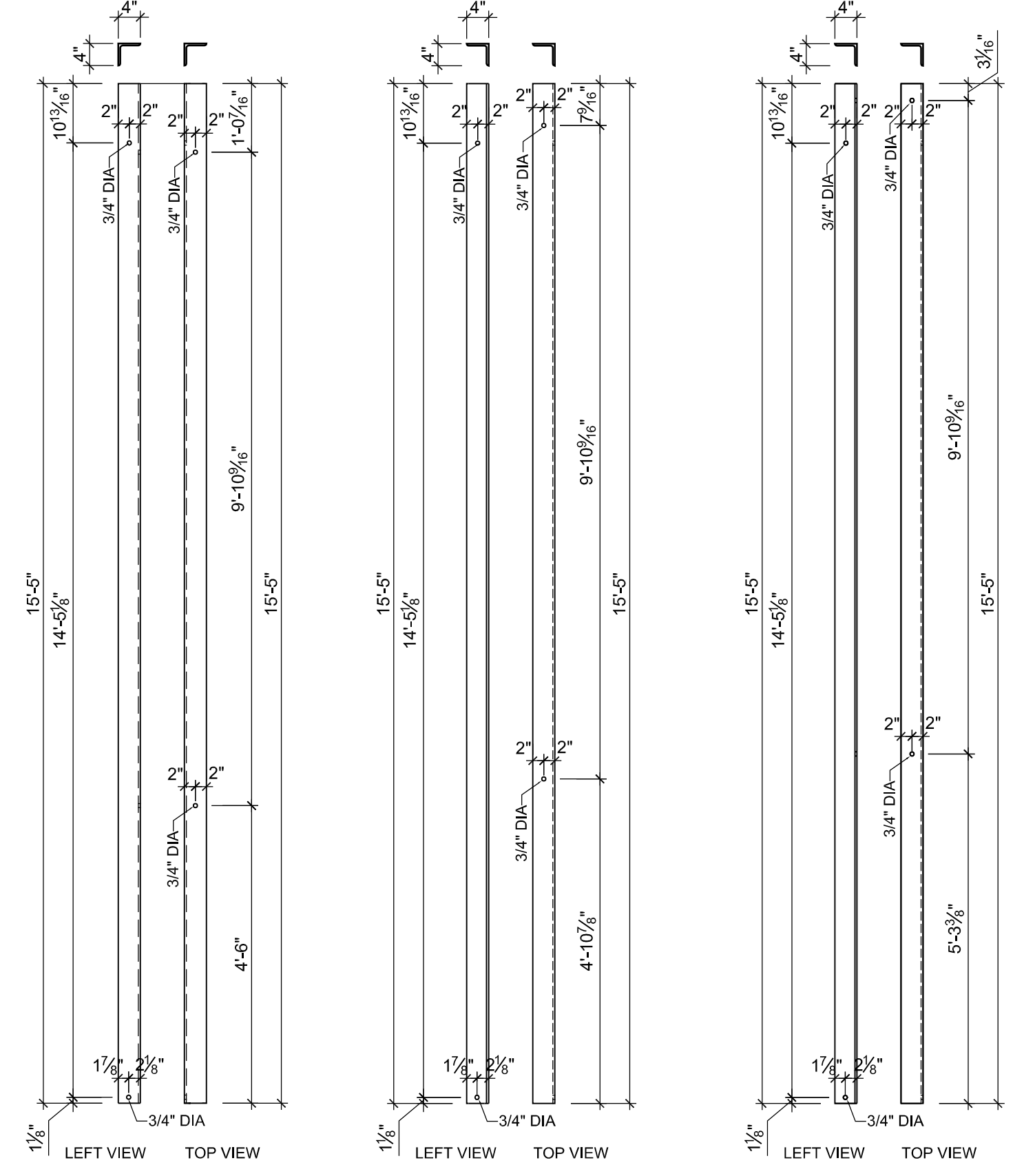
M COLLECTOR TRACK
SCALE: 1/2" = 1'-0" OPPOSITE HAND



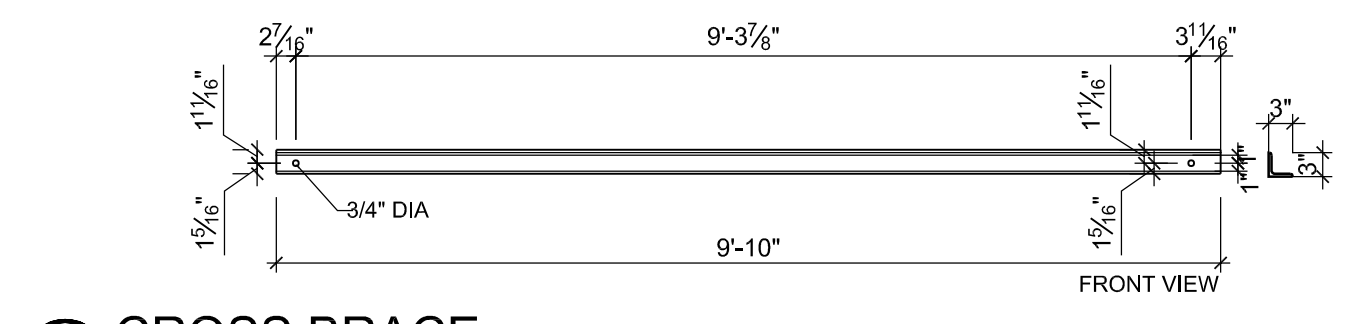
L COLLECTOR TRACK
SCALE: 1/2" = 1'-0"



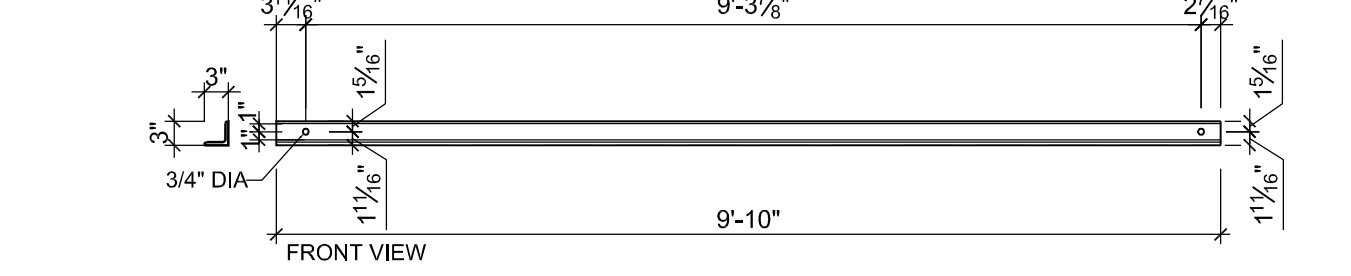
K CROSS BRACE
SCALE: 1/2" = 1'-0"



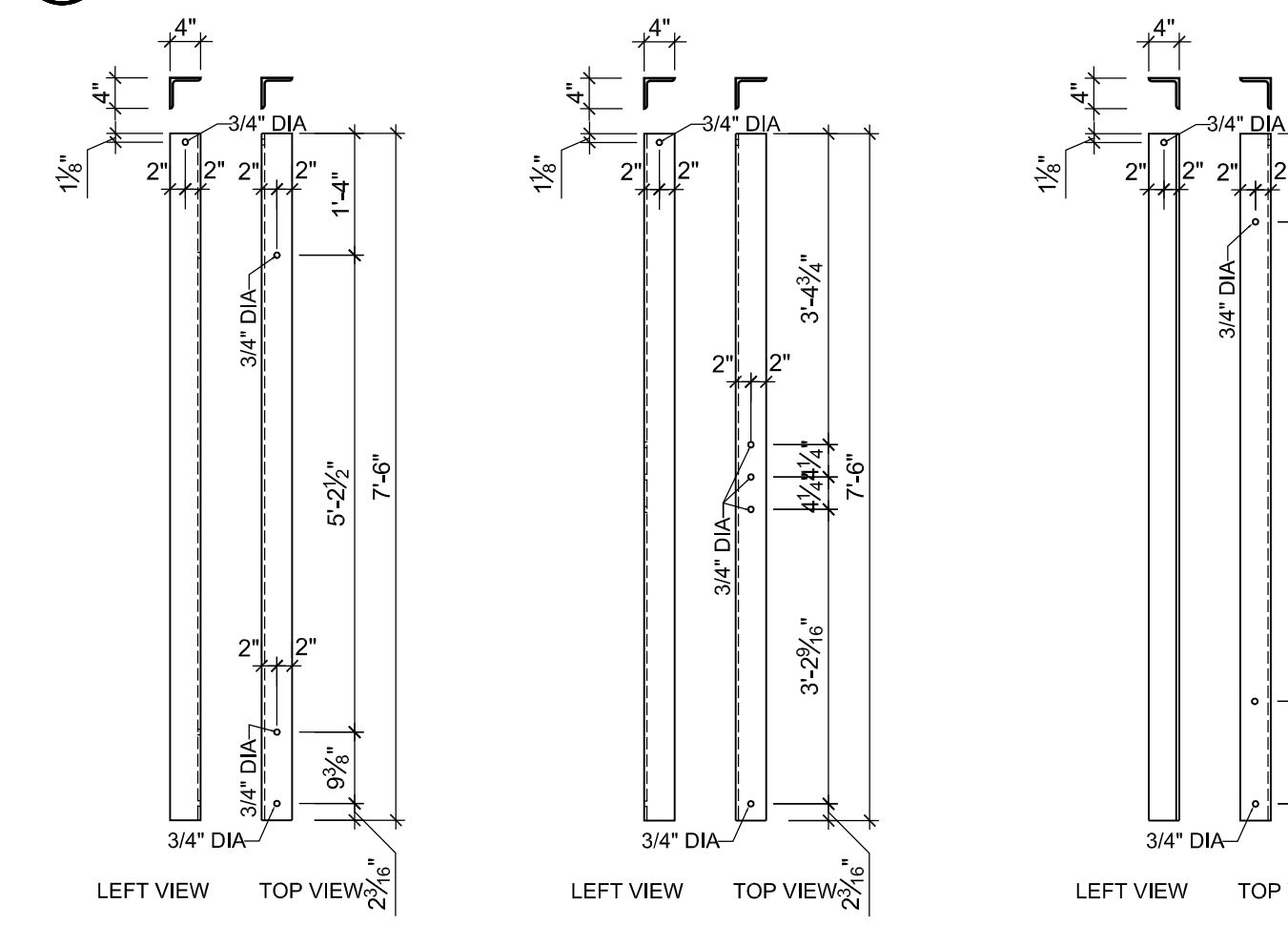
B RAFTER SCALE: 1/2" = 1'-0"
C RAFTER SCALE: 1/2" = 1'-0"
D RAFTER SCALE: 1/2" = 1'-0"



J CROSS BRACE
SCALE: 1/2" = 1'-0"



H CROSS BRACE
SCALE: 1/2" = 1'-0"



E POST SCALE: 1/2" = 1'-0"
F POST SCALE: 1/2" = 1'-0"
G POST SCALE: 1/2" = 1'-0"

QUANTITIES STRUCTURAL STEEL
REVISION: ALL METAL THICKNESS REDUCED TO 0.25-INCHES

| NAME | TAG | SHAPE | SIZE | LENGTH IN | PIECE | TOTAL IN | TOTAL FT |
|--------------|-------|----------------|------------|-----------|-------|------------|--------------|
| BASE | A | Angle L | 4X4 | 12 | 6 | 72 | 6.00 |
| RAFTER | B/C/D | Angle L | 4X4 | 185 | 3 | 555 | 46.25 |
| POST | E/F/G | Angle L | 4X4 | 90 | 3 | 270 | 22.50 |
| TOTAL | | Angle L | 4X4 | | | 897 | 74.75 |

REVISION: CROSSBRACE MATERIAL REDUCED TO 2" x 2" angle

| | | | | | | | |
|--------------|------------|----------------|------------|------------|----------|-------------|--------------|
| BRACE | H/J | Angle L | 2X2 | 118 | 2 | 236 | 19.67 |
| BRACE | K | Angle L | 2X2 | 232 | 1 | 232 | 19.33 |
| TOTAL | | Angle L | 2X2 | | | 1365 | 39.00 |
| TRACK | L/M | Angle L | 3X3 | 240 | 2 | 480 | 40.00 |

FASTENERS

| NAME | TYPE | OD IN | LENGTH IN | PIECE | REMARK |
|--------|---------|-------|-----------|-------|-------------------|
| ANCHOR | LDT | 5/8 | 4 1/2 | 12 | |
| BOLT | SS HEX | 5/8 | 1 1/2 | 19 | INCL NUT & WAHSER |
| TEK | SS # 14 | - | - | 44 | |

QUANTITIES LISTED ARE FOR 1 RACK RECEIVING A MAX. OF 5 COLLECTORS. QUANTITIES FOR MULTIPLE RACK INSTALLATIONS NEED TO BE CALCULATED ACCORDINGLY.