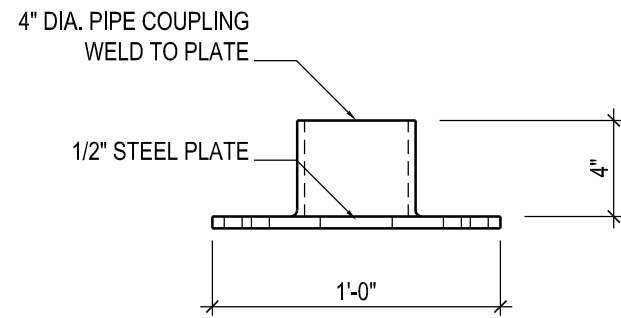
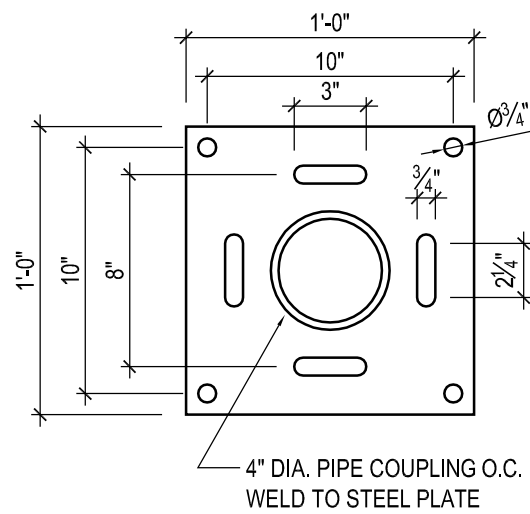


01 ISOMETRIC VIEW
SCALE: 1- 1/2" = 1'-0"



01 FRONT VIEW
SCALE: 1- 1/2" = 1'-0"



NOTE: 1/2" STEEL PLATE,
ALL HOLES AND SLOTS 3/4" DIA.
BASE USES 4 CORNER HOLES,
MOUNTING PLATE USES 2 CENTER SLOTS.

01 TOP VIEW
SCALE: 1- 1/2" = 1'-0"

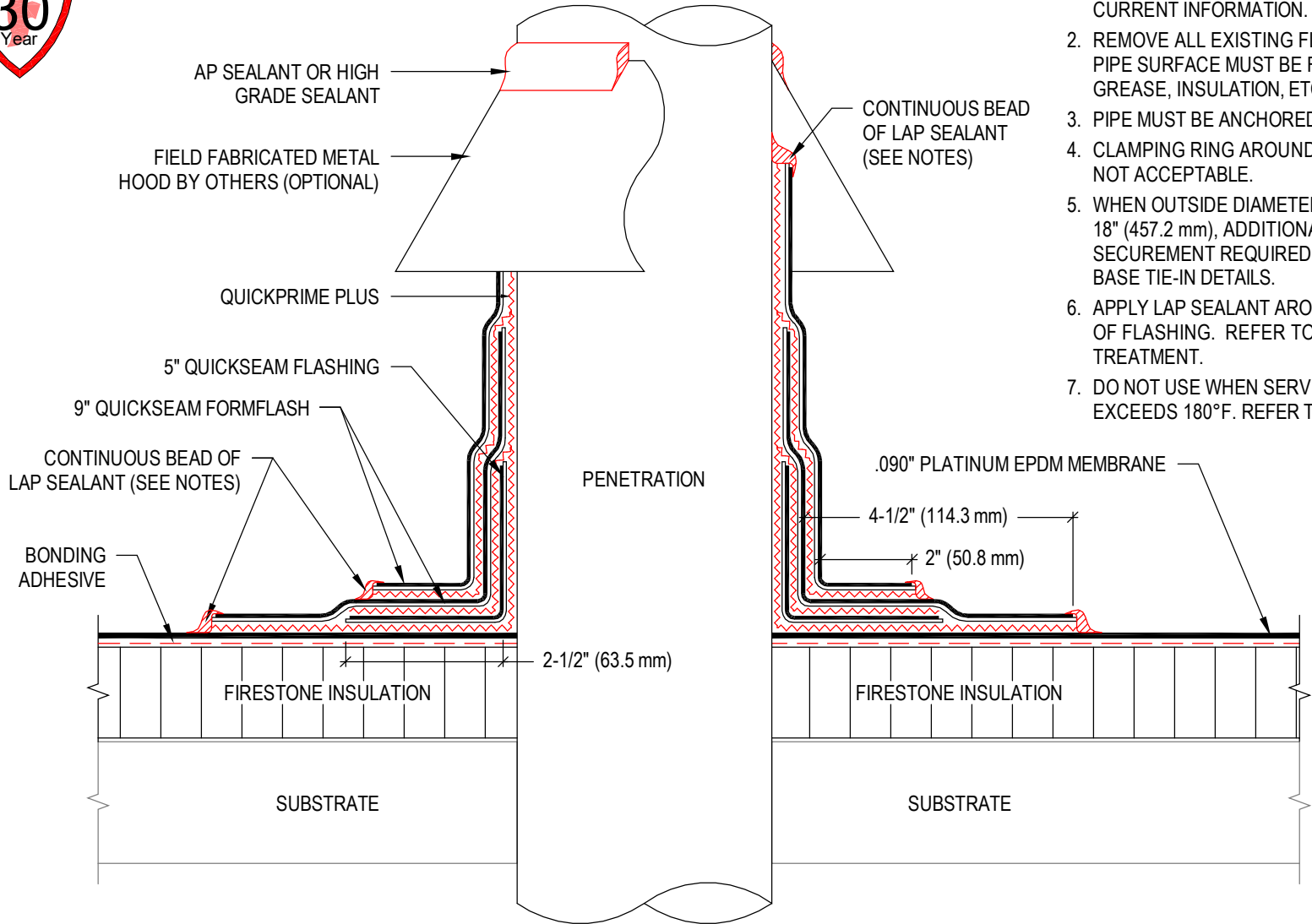
ENGINEERED:
ALLEN GEZELMAN
16502 HANNA RD.,
LUTZ, FLORIDA 33549
PH. 813 650 7246
FX. 866 397 9050
BOLSON1@TAMPABAY.RR.COM
PE. # 59180

CAD: cAdvice.us
SIGGI BROCKS
3603 E. RENELLIE CIR.
TAMPA, FL 33629
PH. 813 919 9154
FX. 866 694 7251
siggi@cadvic.us

SHOP DRAWINGS FOR
STEEL RACK RECEIVING
SOLAR WORLD WATER HEATER AE 40 DHW

SYSTEM:

DATE: 09/22/08
REVISION NO./DATE:
MOUNTING BASE FOR
SOLAR WORLD
SOLAR WATER HEATERS
SHEET NAME:
MOUNTING BASE
DRAWN:SB CHECKED:AG
SHEET NO:
M.B. 1.0
3D Base Coupling.dwg



- NOTES:
1. REFER TO FIRESTONE WEBSITE FOR MOST CURRENT INFORMATION.
 2. REMOVE ALL EXISTING FLASHINGS, LEAD, ETC. PIPE SURFACE MUST BE FREE OF ALL RUST, GREASE, INSULATION, ETC.
 3. PIPE MUST BE ANCHORED TO ENSURE STABILITY.
 4. CLAMPING RING AROUND TOP OF FORMFLASH NOT ACCEPTABLE.
 5. WHEN OUTSIDE DIAMETER OF THE PIPE EXCEEDS 18" (457.2 mm), ADDITIONAL FIELD MEMBRANE SECUREMENT REQUIRED. REFER TO APPROPRIATE BASE TIE-IN DETAILS.
 6. APPLY LAP SEALANT AROUND ENTIRE PERIMETER OF FLASHING. REFER TO PLS-4 FOR SEAM EDGE TREATMENT.
 7. DO NOT USE WHEN SERVICE LINE TEMP. EXCEEDS 180°F. REFER TO PP-4.

MAXIMUM WARRANTY: **30 YEARS**

Firestone
 BUILDING PRODUCTS
 NOBODY COVERS YOU BETTER.™
 www.firestonebpc.com

PENETRATION WITH FIELD FABRICATED FLASHING

RUBBERGARD™ PLATINUM

ACCEPTABLE SYSTEMS: PLATINUM

ISSUE / REVISION DATE:
 1/1/2006

NOT TO SCALE

DETAIL NO.
PP-3